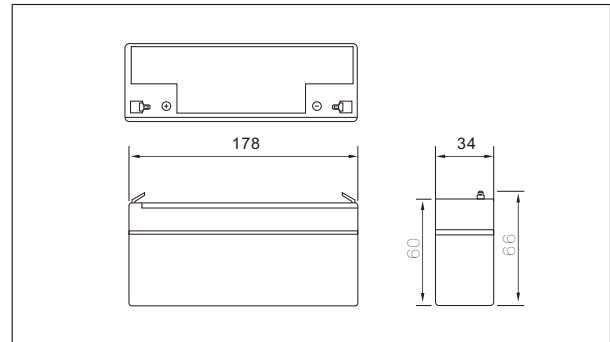


SG1223T1(12V2.3AH)



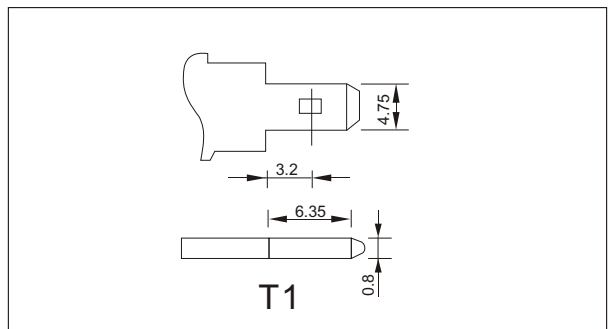
● Outer dimensions (mm)



● Specifications

Nominal Voltage		12 V
Rated capacity (20 hour rate)		2.3Ah
Dimensions	Total Height	66 mm(2.60 inches)
	Height	60mm(2.36 inches)
	Length	178mm(7.01 inches)
	Width	34 mm(1.34 inches)
Weight Approx		0.92Kg(2.02lbs)

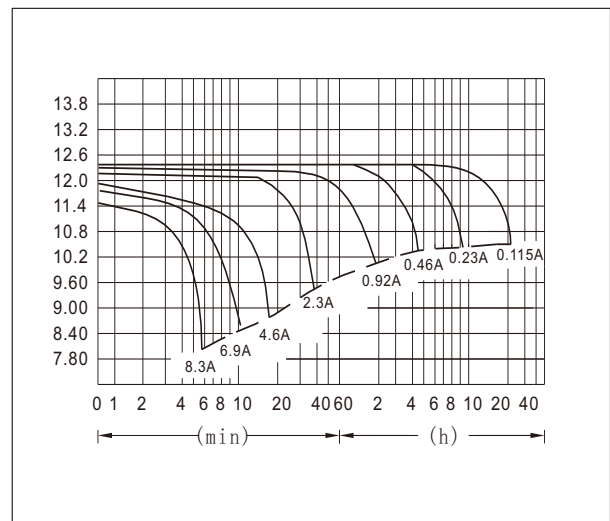
● Terminal Type (mm)



● Characteristics

Capacity 25°C(77°F)	20 hour rate(0.5A)	2.30AH
	10 hour rate(0.9A)	2.10AH
	5 hour rate(1.71A)	1.95AH
	1 hour rate(6.0A)	1.38 AH
1.5 hour discharge to 3.5 V		0.92A
Internal Resistance	Full charged Battery at 25°C(77°F)	50m Ω
Capacity affected by Temperature (20hour rate)	40°C(104°F)	102%
	25°C(77°F)	100%
	0°C(32°F)	85%
	-15°C(5°F)	65%
Self-Discharge at 25°C(77°F)	Capacity after 3 month storage	91%
	Capacity after 6 month storage	82%
	Capacity after 12 month storage	64%
Terminal		T1
Charge (constant Voltage)	Cycle	Initial Charging Current less than 0.69A Voltage 14.1-4.4V
	Float	Voltage 13.5-13.8 V

● Discharge Curves 25 °C(77°F)



Constant Current(Amp) and Constant Power(Watt) Discharge Table at 25°C(77°F)													
Time		5min	10min	15min	30min	1h	2h	3h	4h	5h	8h	10h	20h
9.60V	A	8.28	5.19	4.03	2.65	1.50	0.81	0.60	0.48	0.40	0.27	0.22	0.12
	W	87.77	56.56	43.07	28.57	16.30	8.77	6.70	5.23	4.52	3.01	2.43	1.33
10.20V	A	7.59	5.08	3.70	2.51	1.43	0.77	0.59	0.46	0.40	0.26	0.21	0.12
	W	83.87	55.87	41.25	28.25	16.04	8.73	6.63	5.22	4.51	2.99	2.43	1.32
10.50V	A	7.04	4.85	3.45	2.43	1.38	0.76	0.58	0.44	0.39	0.26	0.21	0.12
	W	78.84	54.60	38.99	27.75	15.73	8.67	6.58	5.03	4.50	2.98	2.41	1.31
10.80V	A	6.41	4.64	3.22	2.32	1.33	0.74	0.56	0.43	0.37	0.25	0.21	0.11
	W	72.75	52.88	36.87	26.83	15.41	8.52	6.54	5.00	4.35	2.94	2.40	1.31
11.10V	A	5.75	4.37	2.99	2.16	1.27	0.72	0.54	0.42	0.36	0.25	0.20	0.11
	W	66.13	50.47	34.68	25.30	14.80	8.41	6.35	4.98	4.22	2.89	2.37	1.29