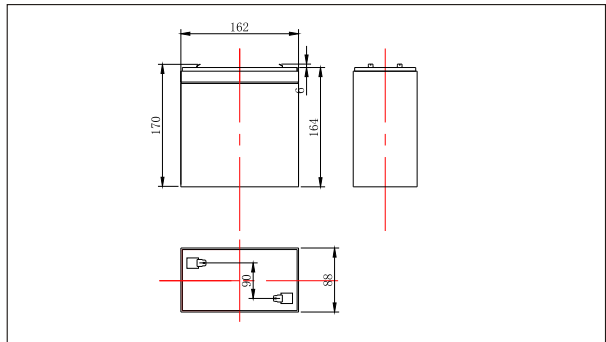


SG06420T2(6V42AH)



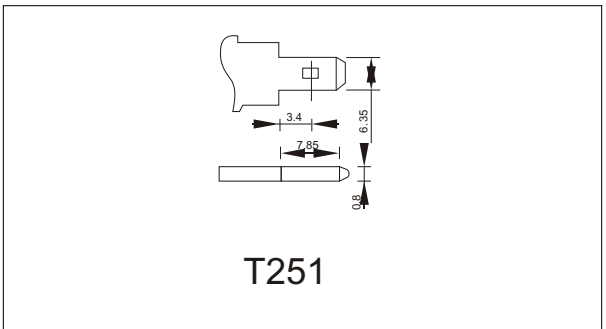
Outer dimensions (mm)



Specifications

Nominal Voltage	6 V	
Rated capacity (20 hour rate)	42 Ah	
Dimensions	Total Height	170 mm(6.69 inches)
	Height	164 mm(6.46 inches)
	Length	162 mm(6.38 inches)
	Width	50 mm(1.97 inches)
Weight Approx	5.9Kg(13.04lbs)	

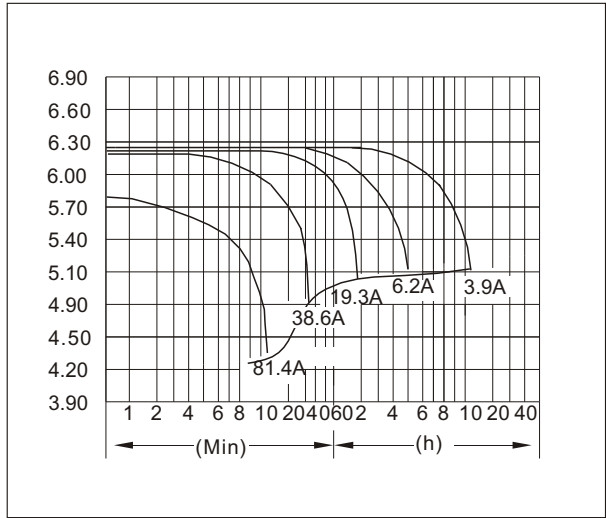
Terminal Type (mm)



Characteristics

Capacity 25°C(77°F)	20 hour rate(2.1A)	42.0 AH
	10 hour rate(3.9A)	39.0 AH
	5 hour rate(6.20A)	31.0 AH
	1 hour rate(23.2A)	23.2 AH
	1.5 hour discharge to 5.25 V	16.8 A
Internal Resistance	Full charged Battery at 25°C(77°F)	4 m Ω
Capacity affected by Temperature (20hour rate)	40°C(104°F)	102%
	25°C(77°F)	100%
	0°C(32°F)	85%
	-15°C(5°F)	65%
Self-Discharge at 25°C(77°F)	Capacity after 3 month storage	91%
	Capacity after 6 month storage	82%
	Capacity after 12 month storage	64%
Terminal	T251	
Charge (constant Voltage)	Cycle	Initial Charging Current less than 12.6 A Voltage 7.20-7.35 V
	Float	Voltage 6.75-6.90 V

Discharge Curves 25 °C(77°F)



Time	5min	10min	15min	30min	1h	2h	3h	4h	5h	8h	10h	20h
4.80V	A	124	81	66	44	23.2	13.5	9.9	7.7	6.4	4.5	2.2
	W	638	435	352	237	125.1	74.2	55.2	43.4	36.2	25.9	12.7
5.10V	A	120	73	62	42	21.8	12.9	9.7	7.5	6.3	4.4	2.1
	W	639	410	346	236	123.1	74.3	55.9	43.8	36.4	25.7	12.5
5.25V	A	116	66	54	39	21.1	12.6	9.4	7.4	6.2	4.4	2.1
	W	632	374	309	227	122.0	73.0	54.9	43.4	36.2	25.6	12.5
5.40V	A	112	62	50	36	20.4	12.3	9.2	7.3	6.0	4.2	2.1
	W	626	357	289	210	118.6	71.9	54.2	43.1	35.6	25.2	12.4
5.55V	A	108	58	46	32	19.7	12.0	8.9	7.1	5.9	4.1	2.0
	W	612	336	270	190	115.8	70.7	52.7	42.3	35.0	24.7	11.9