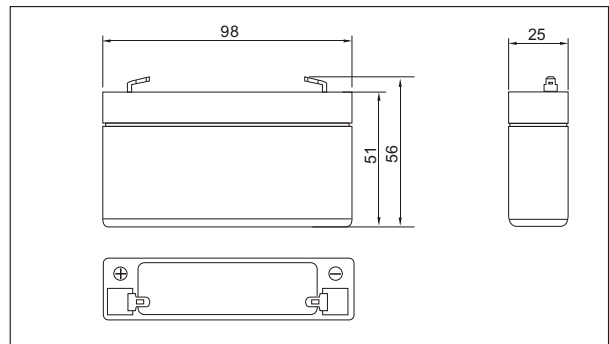


## SG0613T1(6V1.3AH)



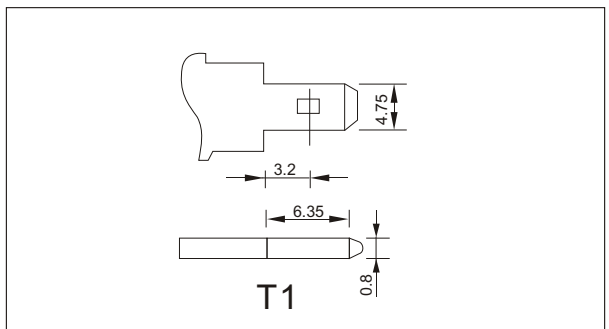
● Outer dimensions (mm)



● Specifications

Nominal Voltage		6 V
Rated capacity (20 hour rate)		1.3 Ah
Dimensions	Total Height	56 mm(2.20 inches)
	Height	51 mm(2.01 inches)
	Length	98 mm(3.86 inches)
	Width	25 mm(0.98 inches)
Weight Approx		0.31Kg(0.68lbs)

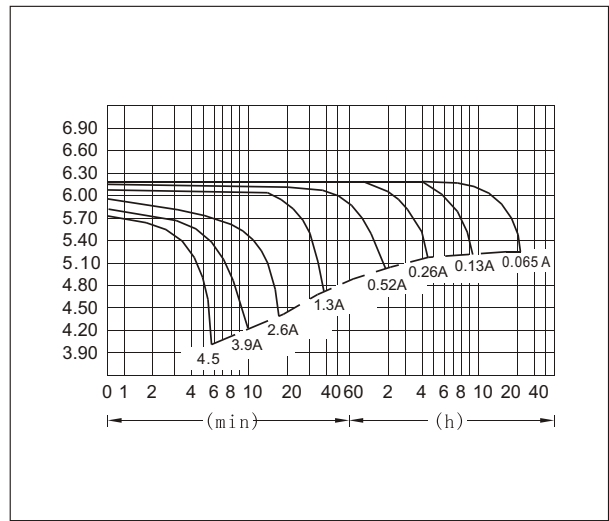
● Terminal Type (mm)



● Characteristics

Capacity 25°C(77°F)	20 hour rate(0.065A)	1.30AH
	10 hour rate(0.12A)	1.20 AH
	5 hour rate(0.22A)	1.10AH
	1 hour rate(0.78A)	0.78AH
Internal Resistance	1.5 hour discharge to 5.25 V	0.52 A
Full charged Battery at 25°C(77°F)		66 mΩ
Capacity affected by Temperature (20hour rate)	40°C(104°F)	102%
	25°C(77°F)	100%
	0°C(32°F)	85%
	-15°C(5°F)	65%
Self-Discharge at 25°C(77°F)	Capacity after 3 month storage	91%
	Capacity after 6 month storage	82%
	Capacity after 12 month storage	64%
Terminal		T1
Charge (constant Voltage)	Cycle	Initial Charging Current less than 0.39A Voltage 7.20-7.35 V
	Float	Voltage 6.75-6.90 V

● Discharge Curves 25 °C(77°F)



Constant Current(Amp) and Constant Power(Watt) Discharge Table at 25 °C(77°F)												
Time	5min	10min	15min	30min	1h	2h	3h	4h	5h	8h	10h	20h
4.80V	A	4.50	2.82	2.19	1.44	0.78	0.46	0.33	0.27	0.23	0.15	0.067
	W	26.5	16.7	12.6	7.6	4.5	2.6	1.94	1.55	1.32	0.87	0.39
5.10V	A	4.13	2.76	2.01	1.36	0.73	0.44	0.33	0.26	0.22	0.15	0.067
	W	25.0	16.4	11.8	7.6	4.2	2.5	1.88	1.51	1.29	0.86	0.38
5.25V	A	3.83	2.64	1.88	1.32	0.71	0.43	0.32	0.25	0.22	0.15	0.065
	W	24.1	15.3	11.3	7.5	4.1	2.5	1.85	1.43	1.29	0.85	0.38
5.40V	A	3.48	2.52	1.75	1.26	0.68	0.42	0.31	0.24	0.21	0.14	0.063
	W	23.0	14.8	10.9	7.5	4.0	2.4	1.83	1.41	1.23	0.81	0.37
5.55V	A	3.01	2.38	1.63	1.18	0.66	0.41	0.30	0.24	0.20	0.14	0.062
	W	17.9	14.3	10.4	7.4	3.9	2.4	1.77	1.41	1.20	0.79	0.37