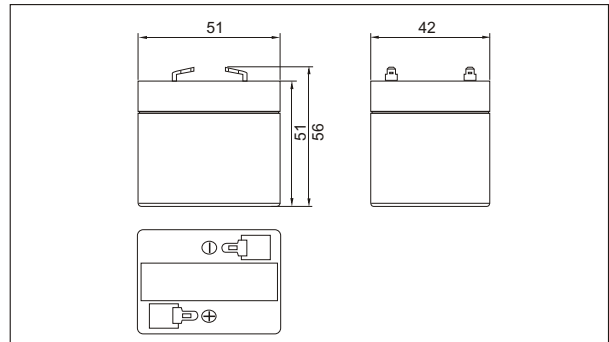


SG0610T1(6V1.0AH)



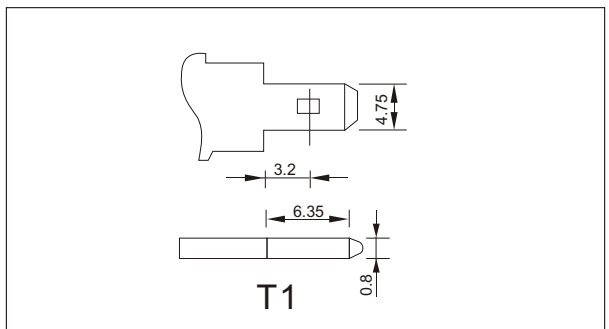
● Outer dimensions (mm)



● Specifications

Nominal Voltage		6 V
Rated capacity (20 hour rate)		1.0 Ah
Dimensions	Total Height	56mm(2.20 inches)
	Height	51 mm(2.01 inches)
	Length	51 mm(2.01 inches)
	Width	42 mm(1.65inches)
Weight Approx		0.26Kg(0.57lbs)

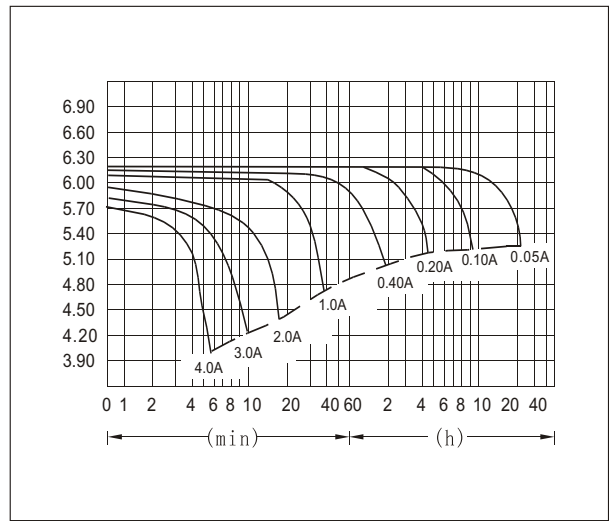
● Terminal Type (mm)



● Characteristics

Capacity 25°C(77°F)	20 hour rate(0.05A)	1.0 AH
	10 hour rate(0.092A)	0.92AH
	5 hour rate(0.17A)	0.85 AH
	1 hour rate(0.60A)	0.60AH
Internal Resistance	1.5 hour discharge to 5.25 V	0.43A
Full charged Battery at 25°C(77°F)		60 mΩ
Capacity affected by Temperature (20hour rate)	40°C(104°F)	102%
	25°C(77°F)	100%
	0°C(32°F)	85%
	-15°C(5°F)	65%
Self-Discharge at 25°C(77°F)	Capacity after 3 month storage	91%
	Capacity after 6 month storage	82%
	Capacity after 12 month storage	64%
Terminal		T1
Charge (constant Voltage)	Cycle	Initial Charging Current less than 0.3 A Voltage 7.20-7.35 V
	Float	Voltage 6.75-6.90 V

● Discharge Curves 25 °C(77°F)



Constant Current(Amp) and Constant Power(Watt) Discharge Table at 25 °C(77°F)												
Time	5min	10min	15min	30min	1h	2h	3h	4h	5h	8h	10h	20h
4.80V	A	3.60	2.26	1.75	1.15	0.60	0.35	0.26	0.21	0.18	0.12	0.09
	W	21.2	13.3	10.1	6.1	3.5	2.0	1.49	1.20	1.01	0.67	0.55
5.10V	A	3.30	2.21	1.61	1.09	0.56	0.34	0.25	0.20	0.17	0.11	0.093
	W	20.0	13.1	9.5	6.1	3.3	1.9	1.45	1.16	1.00	0.66	0.54
5.25V	A	3.06	2.11	1.50	1.06	0.55	0.33	0.25	0.19	0.17	0.11	0.09
	W	19.3	12.3	9.1	6.0	3.2	1.9	1.42	1.10	0.99	0.65	0.53
5.40V	A	2.79	2.02	1.40	1.01	0.53	0.32	0.24	0.19	0.16	0.11	0.09
	W	18.4	11.9	8.7	6.0	3.1	1.9	1.41	1.09	0.95	0.63	0.52
5.55V	A	2.41	1.90	1.30	0.94	0.51	0.31	0.23	0.18	0.16	0.11	0.09
	W	14.4	11.5	8.3	5.9	3.0	1.9	1.36	1.08	0.93	0.60	0.51